

CPJ MIX(Default Package) User Guide

CPJ MIX is an audio mixer for car audio system.

CPJ MIX receives 2 or 4 channel or 5.1 channel inputs, and it outputs 4 channel and 1 subwoofer channel. You can hear the sound from the car stereo and the car PC at the same time.

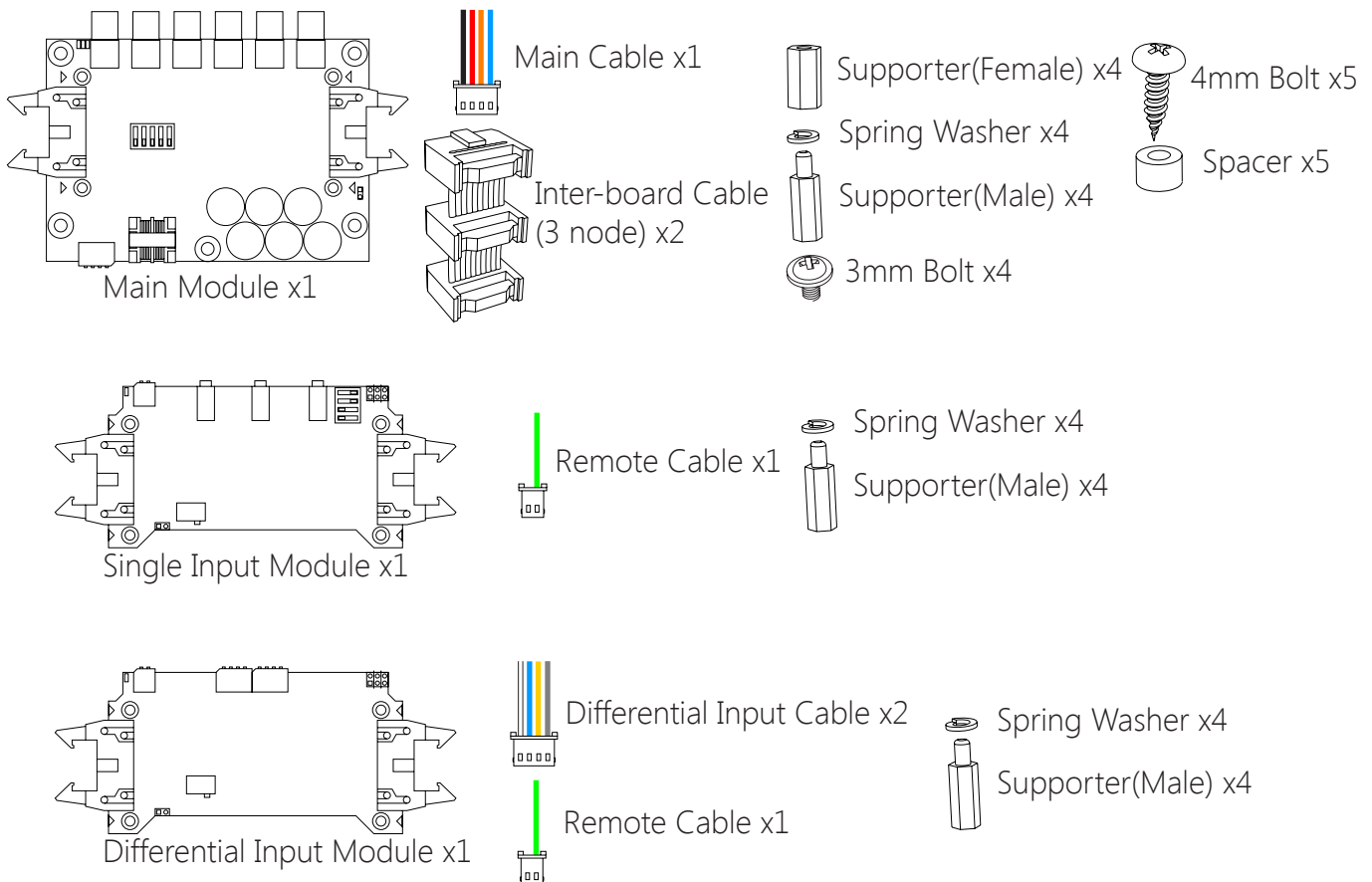
It is suitable for car PC or car stereo system which need to be connected to one set of car audio amplifier and speakers.

1. Feature of CPJ MIX

- Mixes audio inputs into 4 channel and 1 subwoofer channel.
- Includes crossover LPF(60~180hz) for subwoofer.
- Controlled by steering wheel controls using Car PC JoyCon Exd's J2P BUS.
- Output level selectable between high and low.
- Subwoofer level and LPF is controlled by steering wheel controls.
- Each input channel can be muted.
- Remote signal mixing. (Outputs only the active audio input source)
- 12v powered
- Supports max 4 input modules.

2. Contents

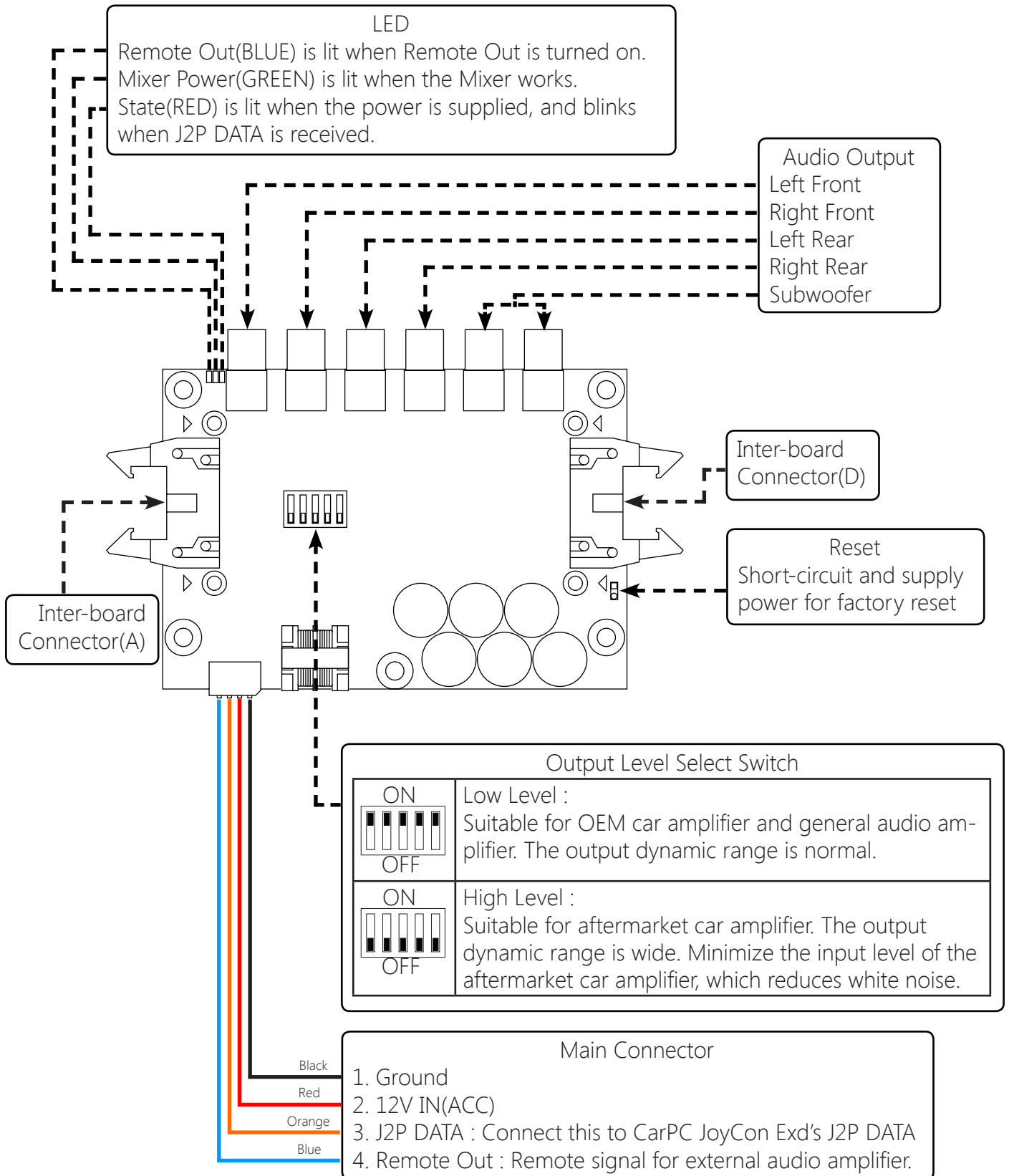
CPJ MIX(Default Package) is composed of a Main Module, a Single Input Module and a Differential Input Module.



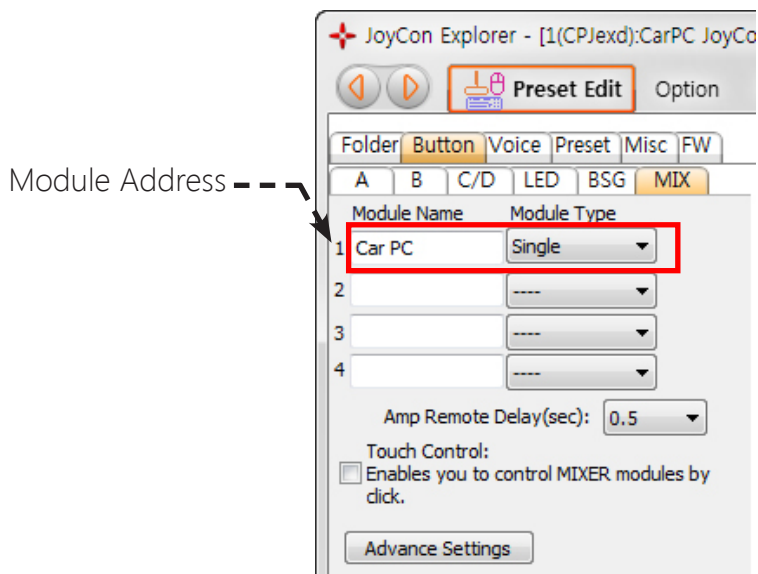
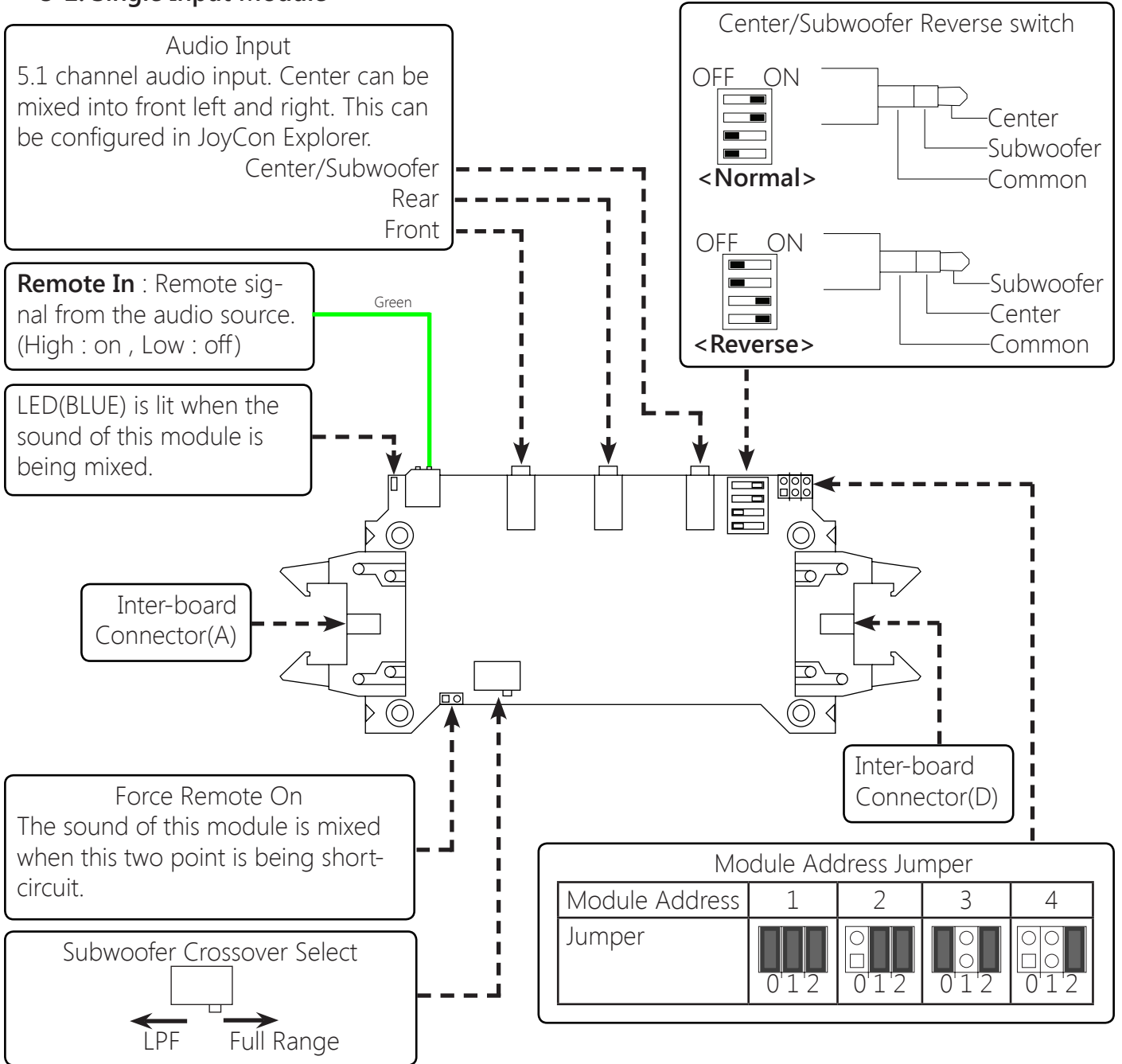
User Guide

3. Board Layout

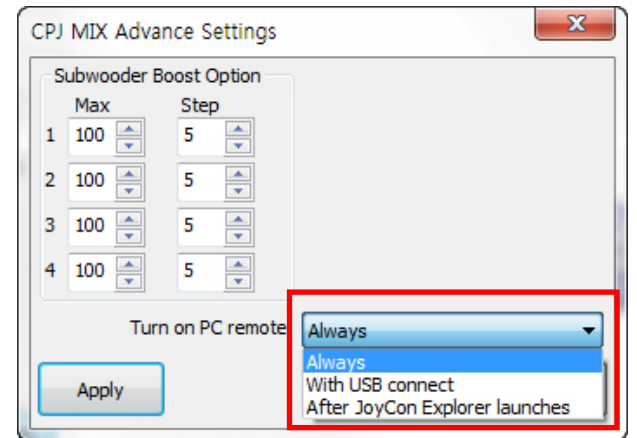
3-1. Main Module



3-2. Single Input Module

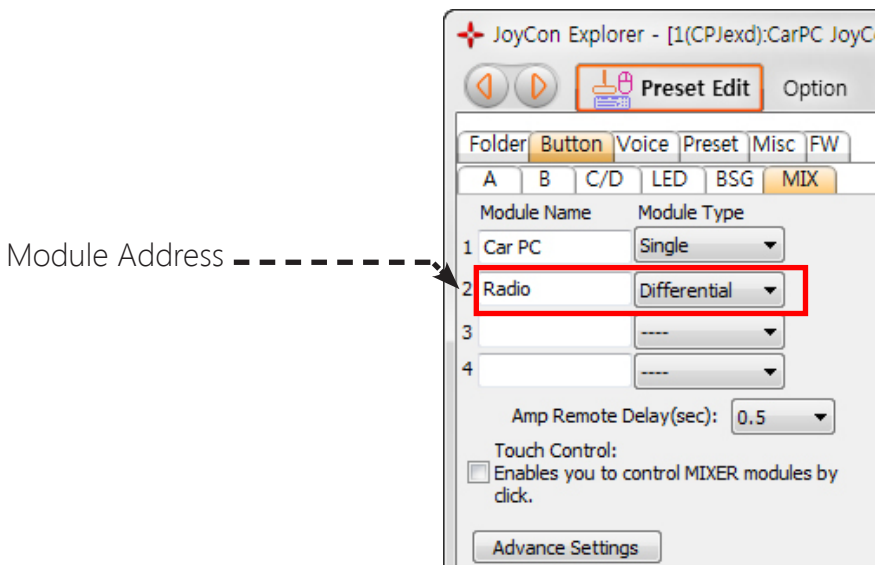
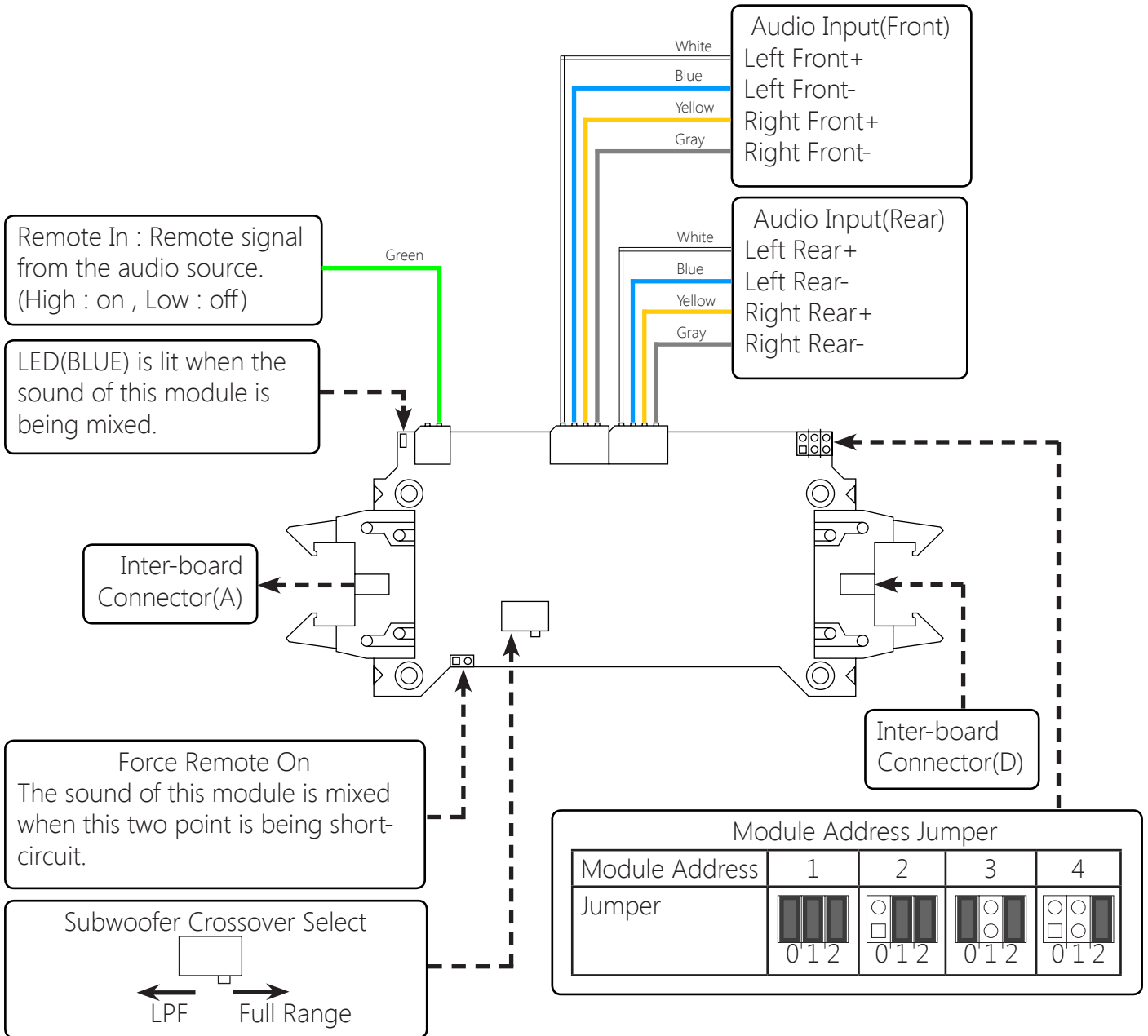


If **Remote In** is connected to CarPC JoyCon Exd's REM OUT, **Remote In** signal can be configured at JoyCon Explorer.



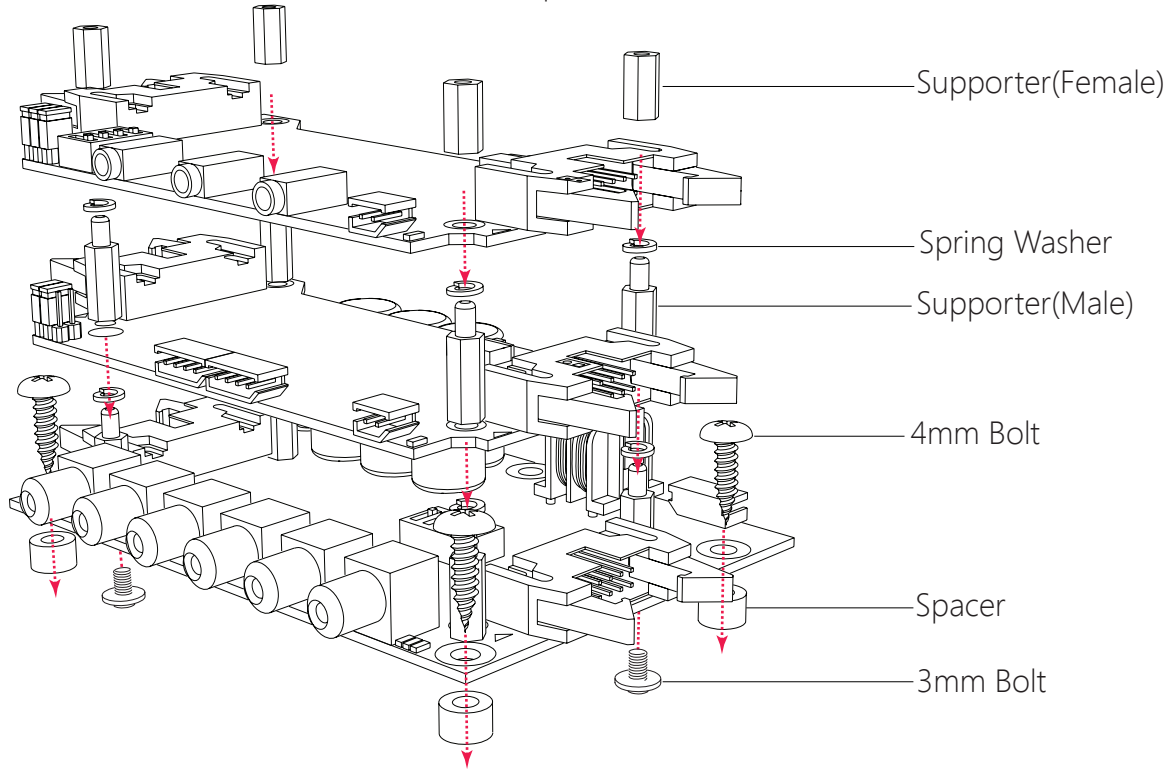
3-3. Differential Input Module

Speaker level output can be connected to the Audio Input directly.

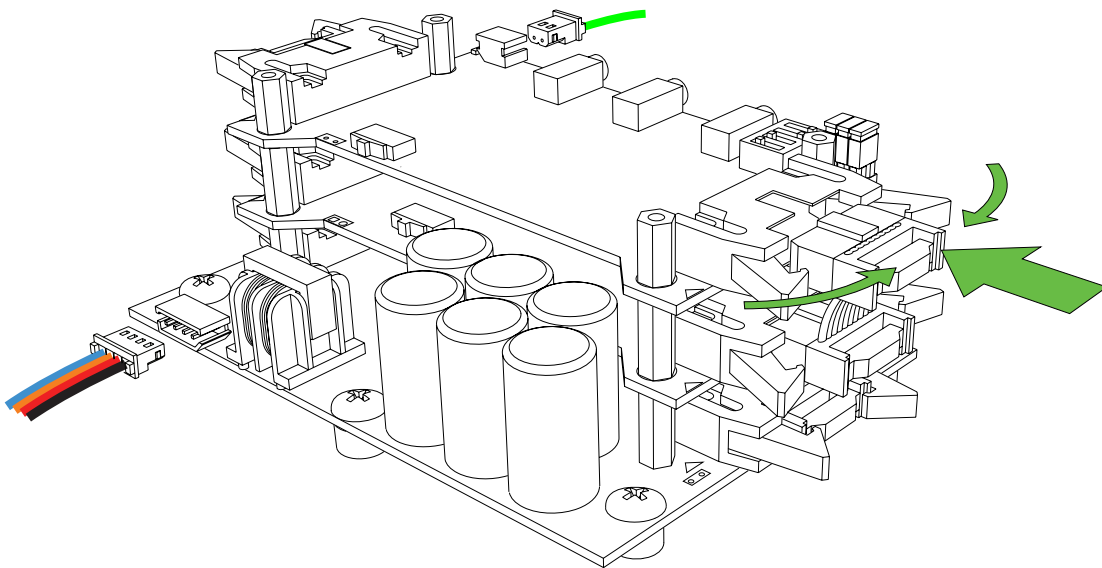


4. Board Assembly

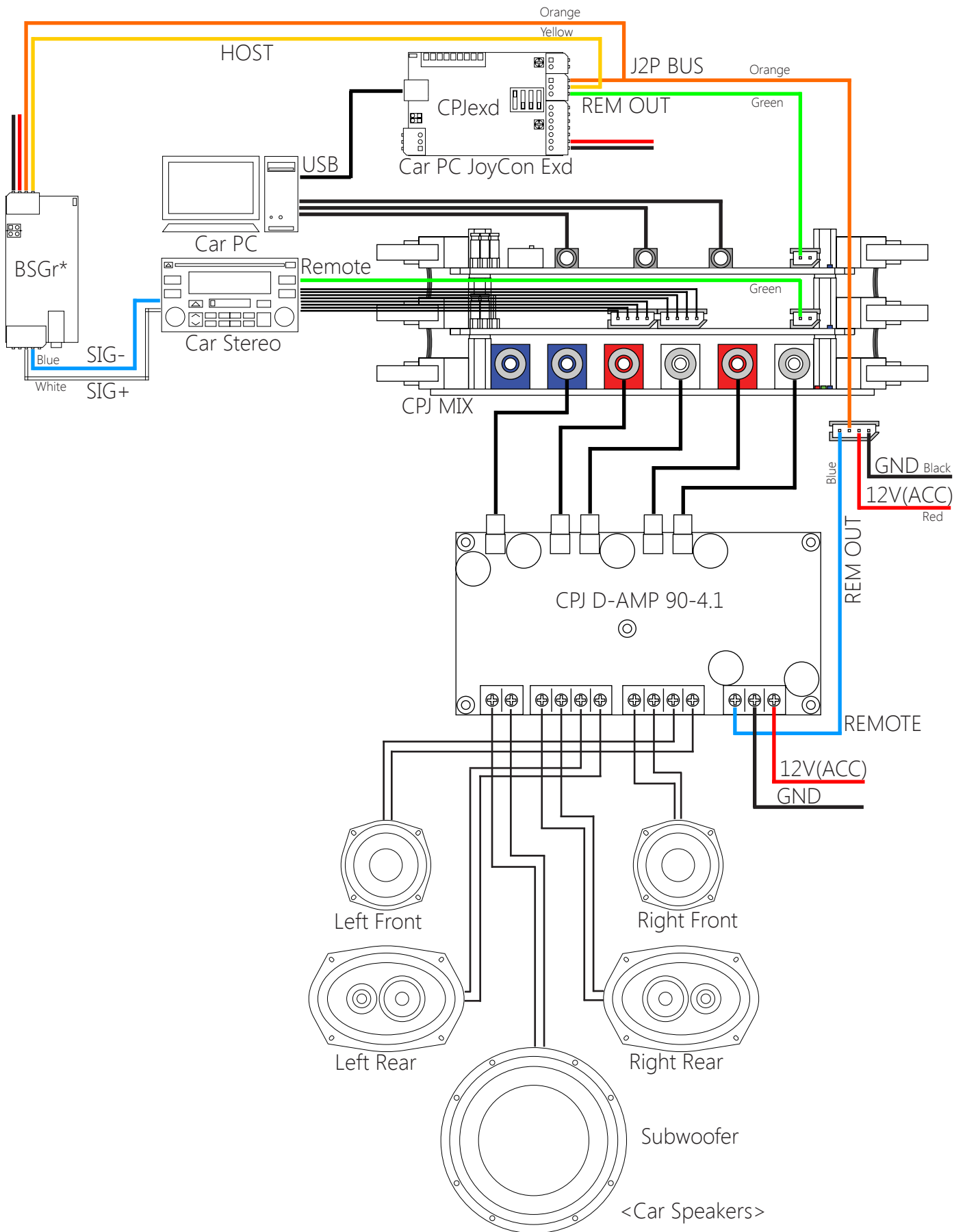
Pile up the input modules upon the main module using the supporter and spring washer. Mount the main module with 4mm bolt and spacer.



Connect input modules each other with inter-board cable.

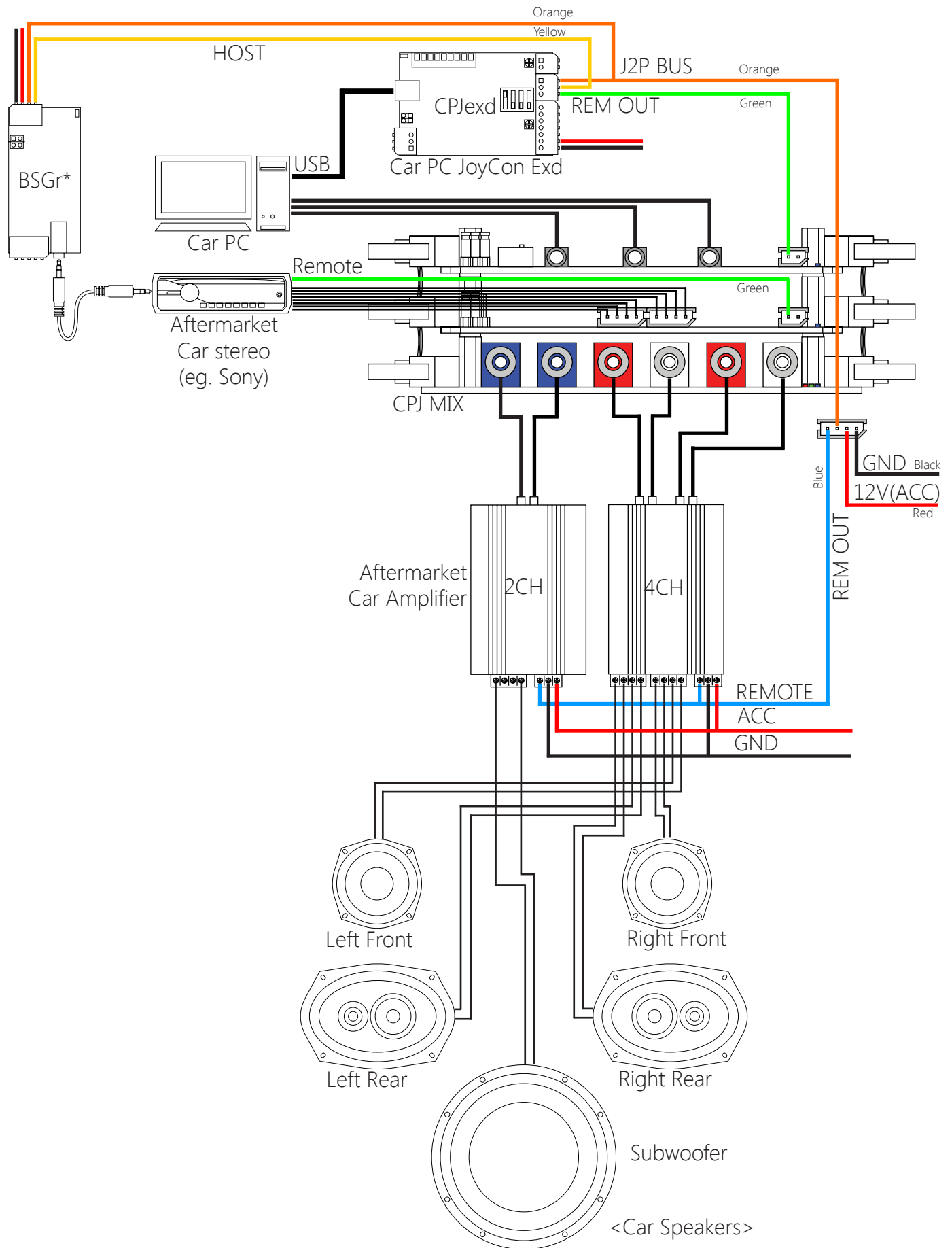


5. CPJ MIX and Car PC Audio System Diagram



*BSGr : Button Signal Generator Resistive

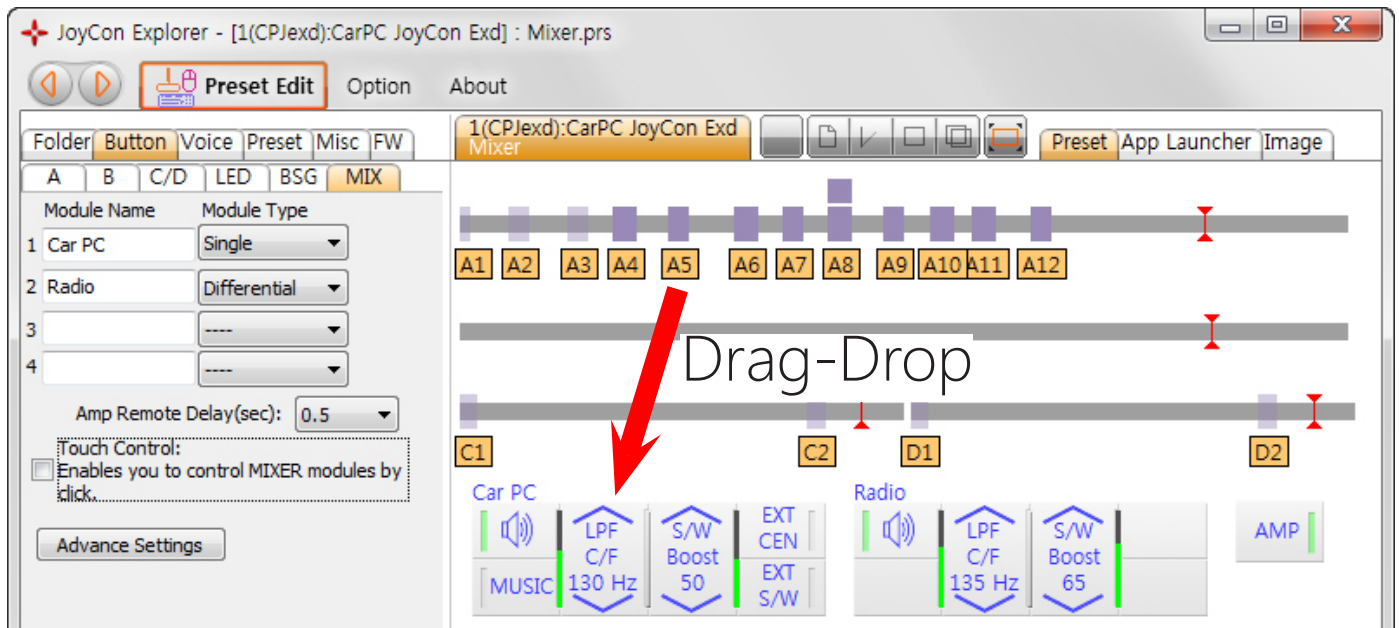
6. CPJ MIX and Car PC with Aftermarket Audio System Diagram



*BSGr : Button Signal Generator Resistive

7. JoyCon Explorer Setting

You can control the mixer function with steering wheel control.



You can also control the mixer function by clicking the button in the JoyCon Explorer after check **Touch Control**.

