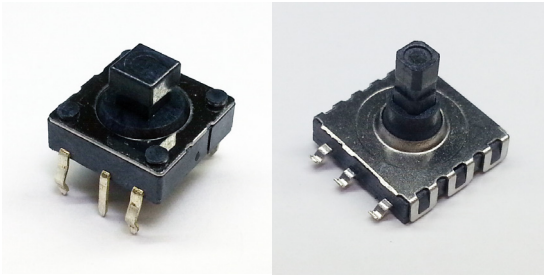


Application Note AN1063

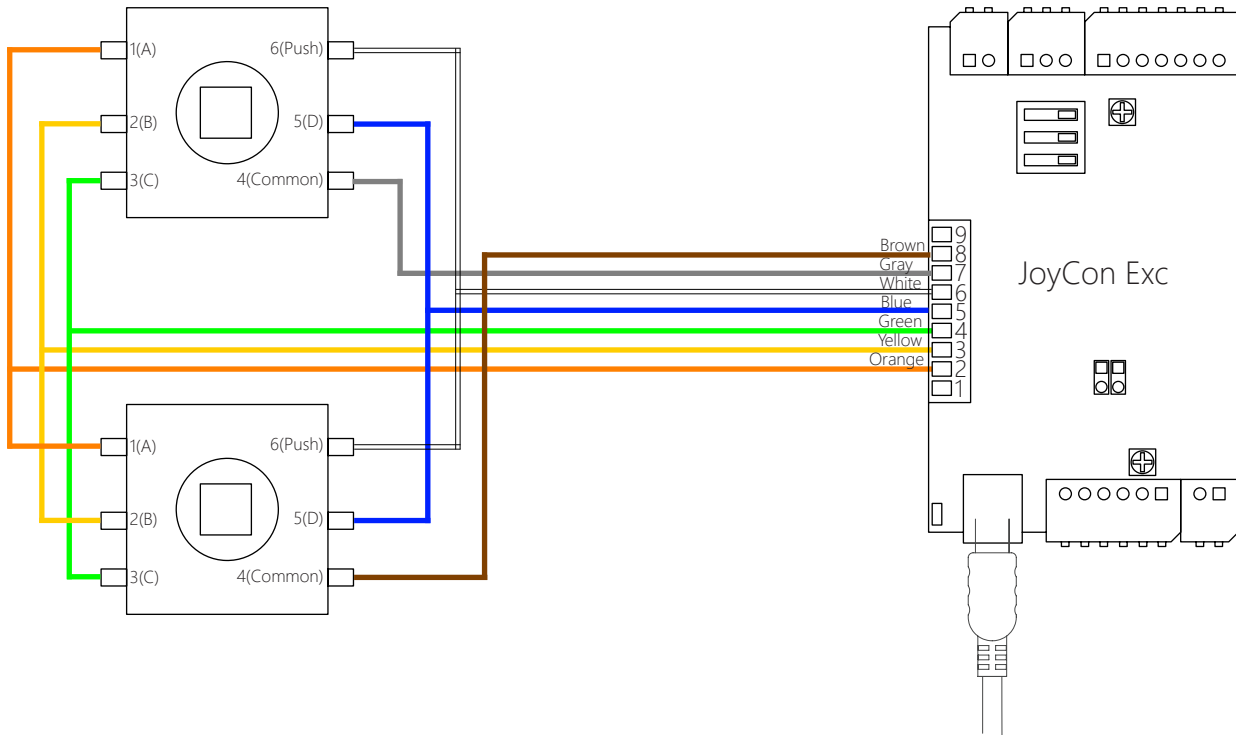
How to use 4 direction switch for PC control

AUG. 8th. 2016

CarPC JoyCon Exc

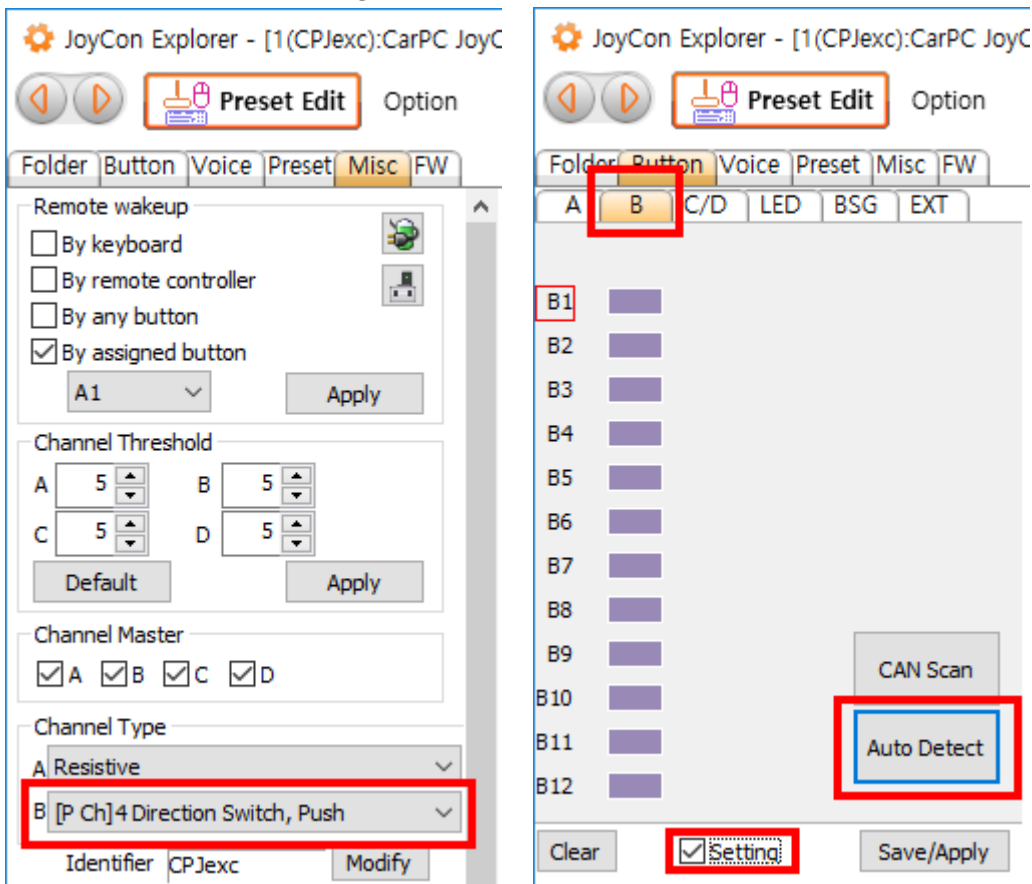


4-direction with center push switch can be connected to the parallel port.
You can wire the switch to the parallel port as the diagram below.



Select "[P Ch]4 Direction Switch, Push" as channel type at the MISC tab.
 And perform "Auto Detect" at setting page in the Button tab.

1. Click "Auto Detect"
2. Press the buttons one by one
3. Click "Auto Detect" again to finish auto-detection



The recognized buttons can be used as a Keyboard hotkey or HID remote controller.

