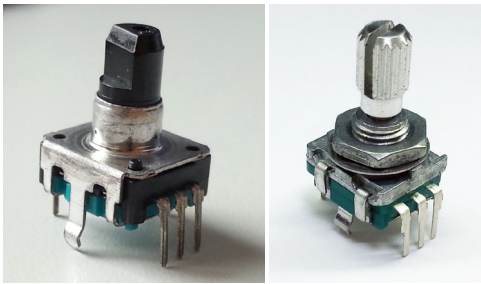


Application Note AN1059

How to use Rotary Encoder for PC control

AUG. 8th. 2016

CarPC JoyCon Exc

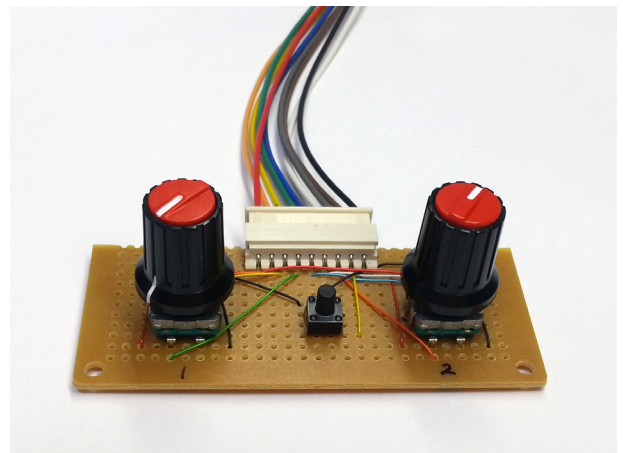


Rotary Encoder usually is used to control the volume or track at the radio or car stereo. You can use the Rotary Encoder for PC control.

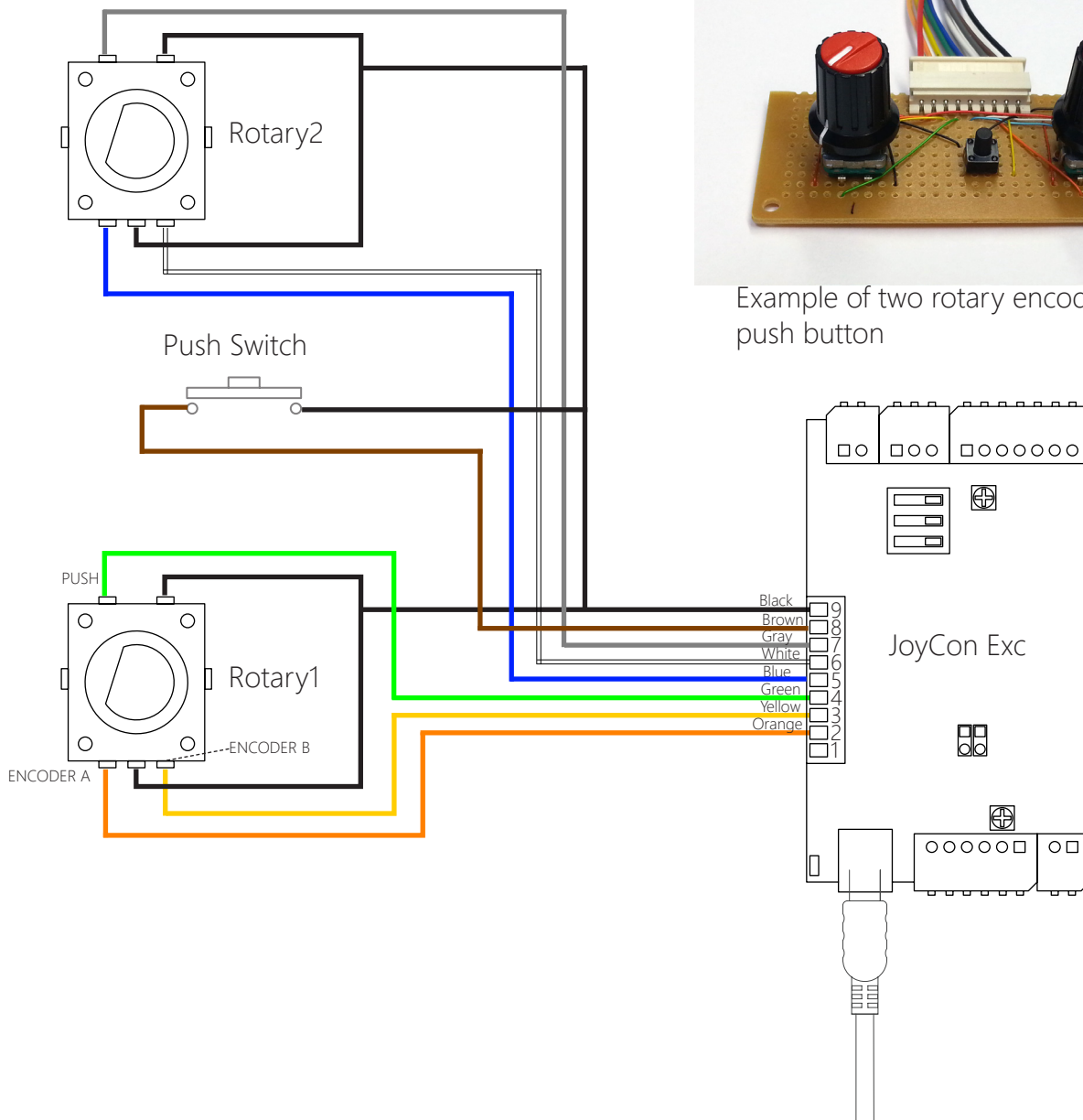
The left photos are the typical rotary encoder that has a rotation wheel and a push button.

You can wire Rotary Encoder to the parallel port as the diagram below.

Max two rotary encoder can be connected to the parallel port. One push switch at the diagram is optional.



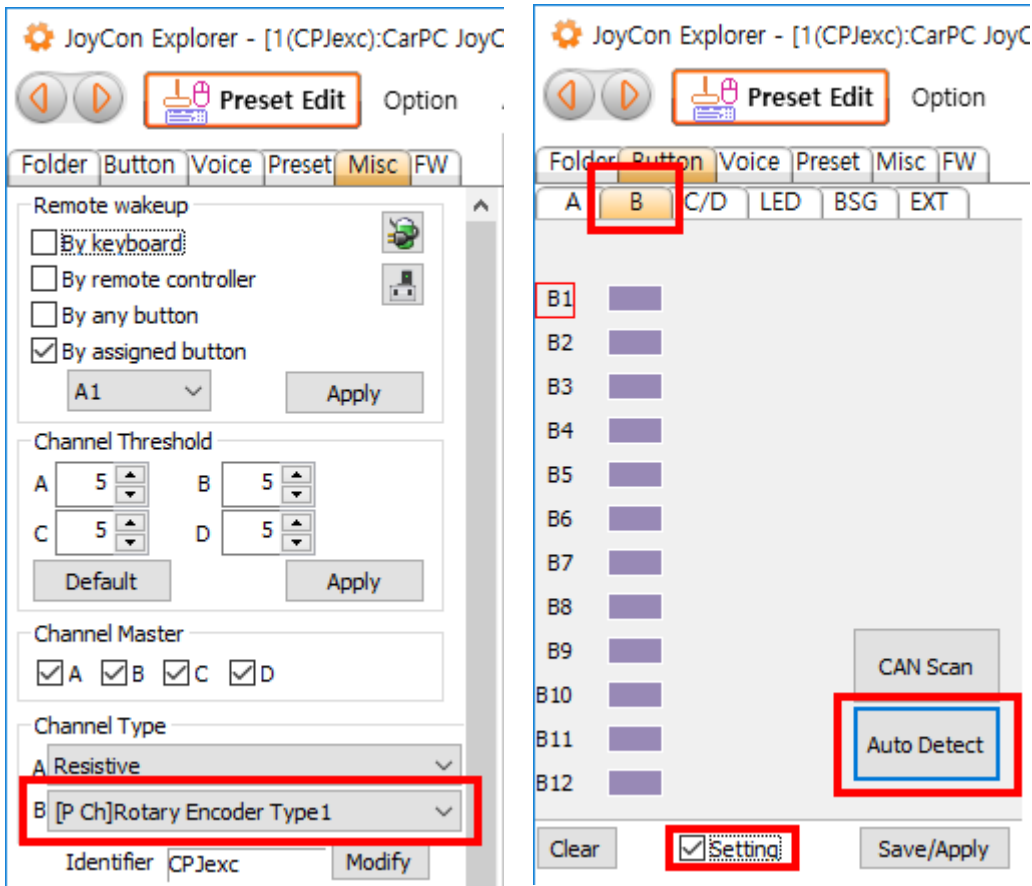
Example of two rotary encoder and one push button



Select "[P Ch]Rotary Encoder Type1" as channel type at the MISC tab.

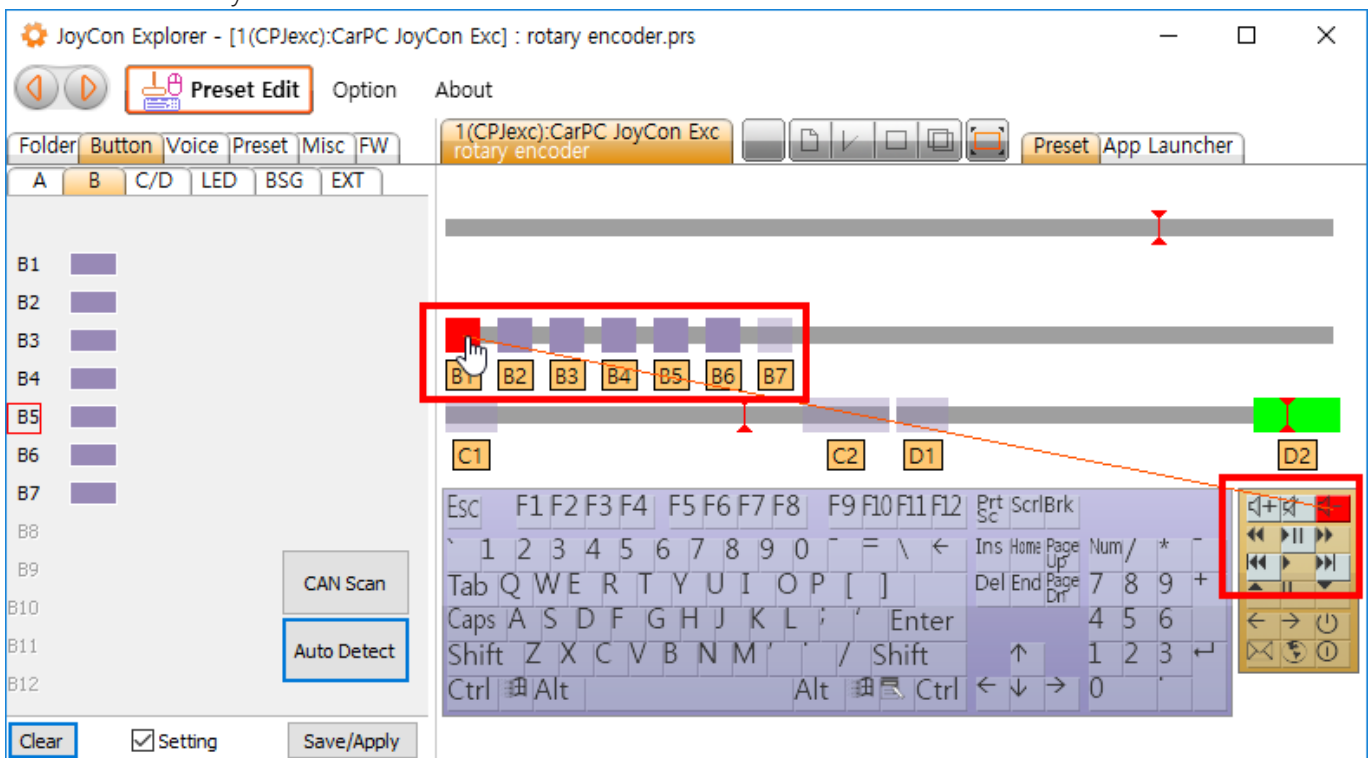
And perform "Auto Detect" at setting page in the Button tab.

1. Click "Auto Detect"
2. Rotate the wheel to the clockwise and to the counter-clockwise
3. Press the buttons one by one
4. Click "Auto Detect" again to finish auto-detection



Rotary Encoder movement is recognized as a button.

If the buttons are connected to the HID remote controller, you can control volume or Forward/Rewind with the rotary encoder.



You can use the Rotary Encoder movement for application launching and switching.

