

Knowledge Note KN1050

CarPC JoyCon Exd/Exr

Using Rearview Camera

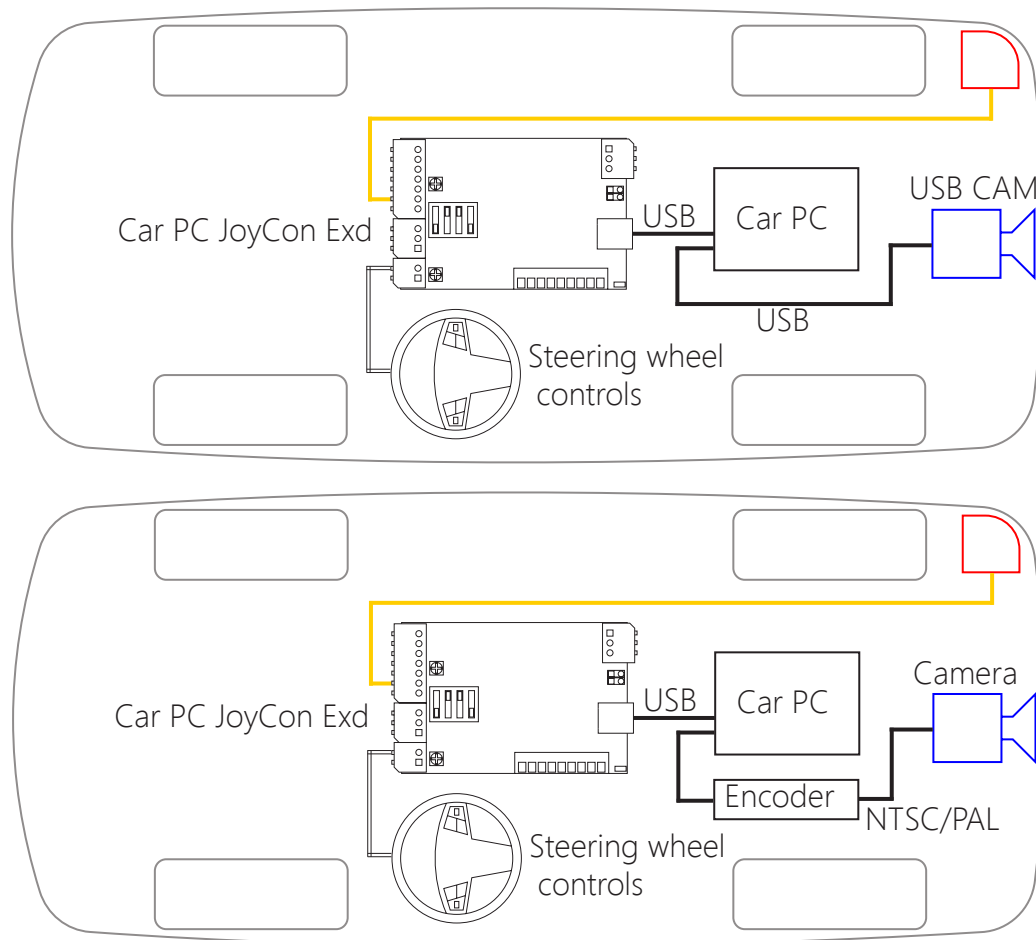
You can use a typical USB cam as a rearview camera with CarPC JoyCon Exr/Exd.
Any USB camera or video capture device can be a rearview camera.

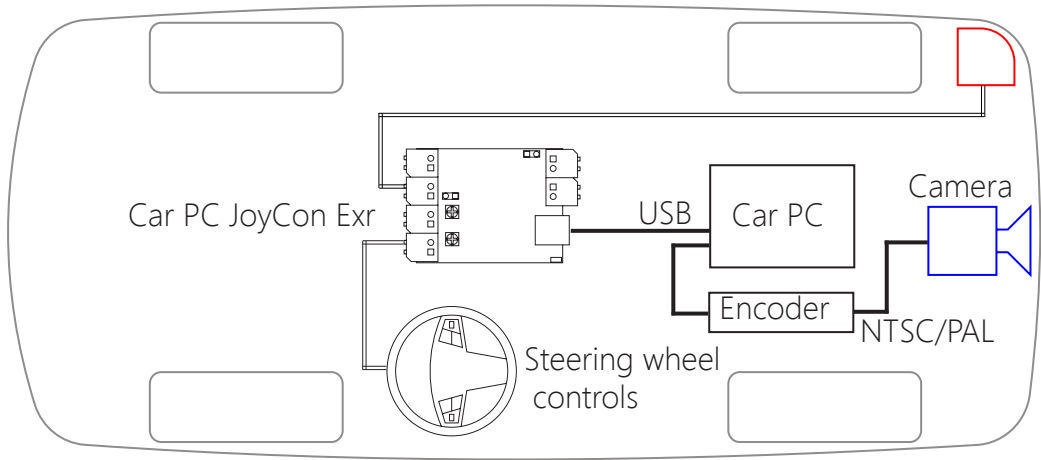
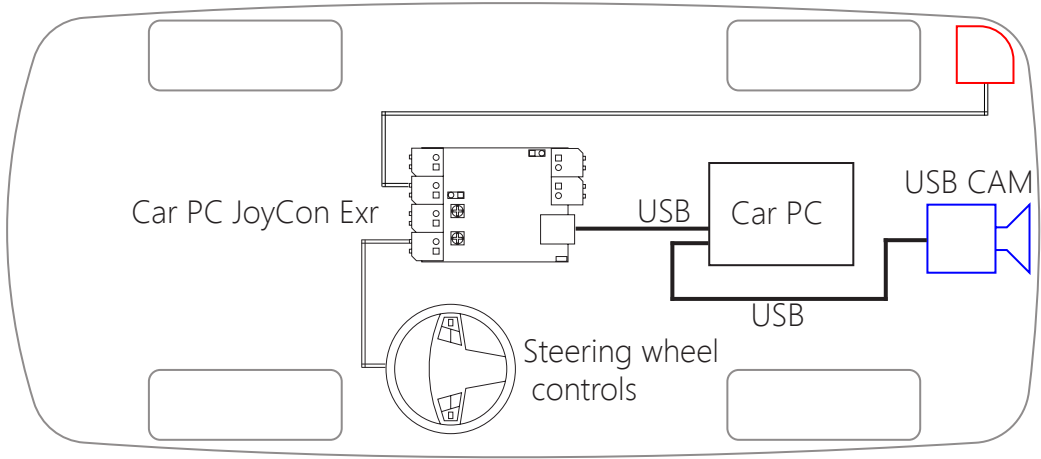
Rearview camera works by the reversing light.

Connect the reversing light wire to the channel C of CarPC JoyCon Exd/Exr.

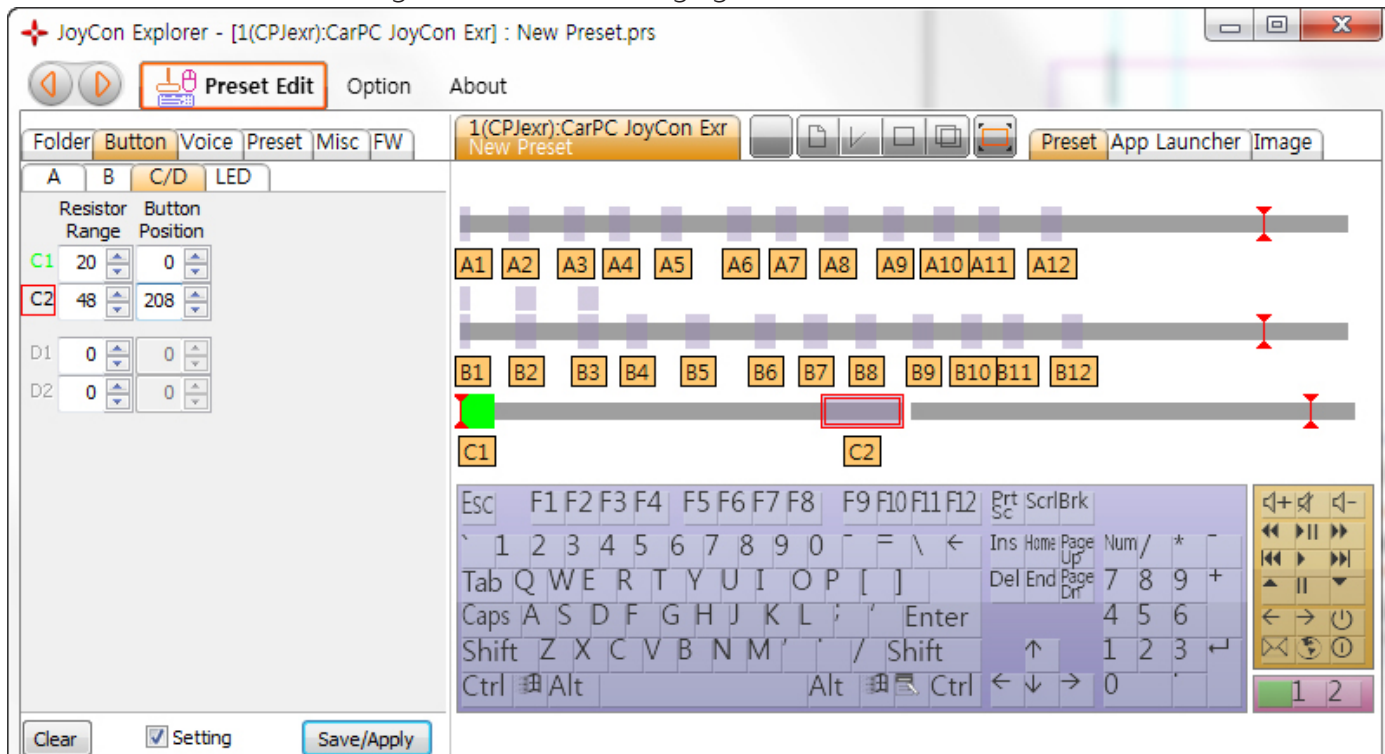
Connect USB camera to the Car PC.

You can also use a NTSC/PAL camera with encoder.

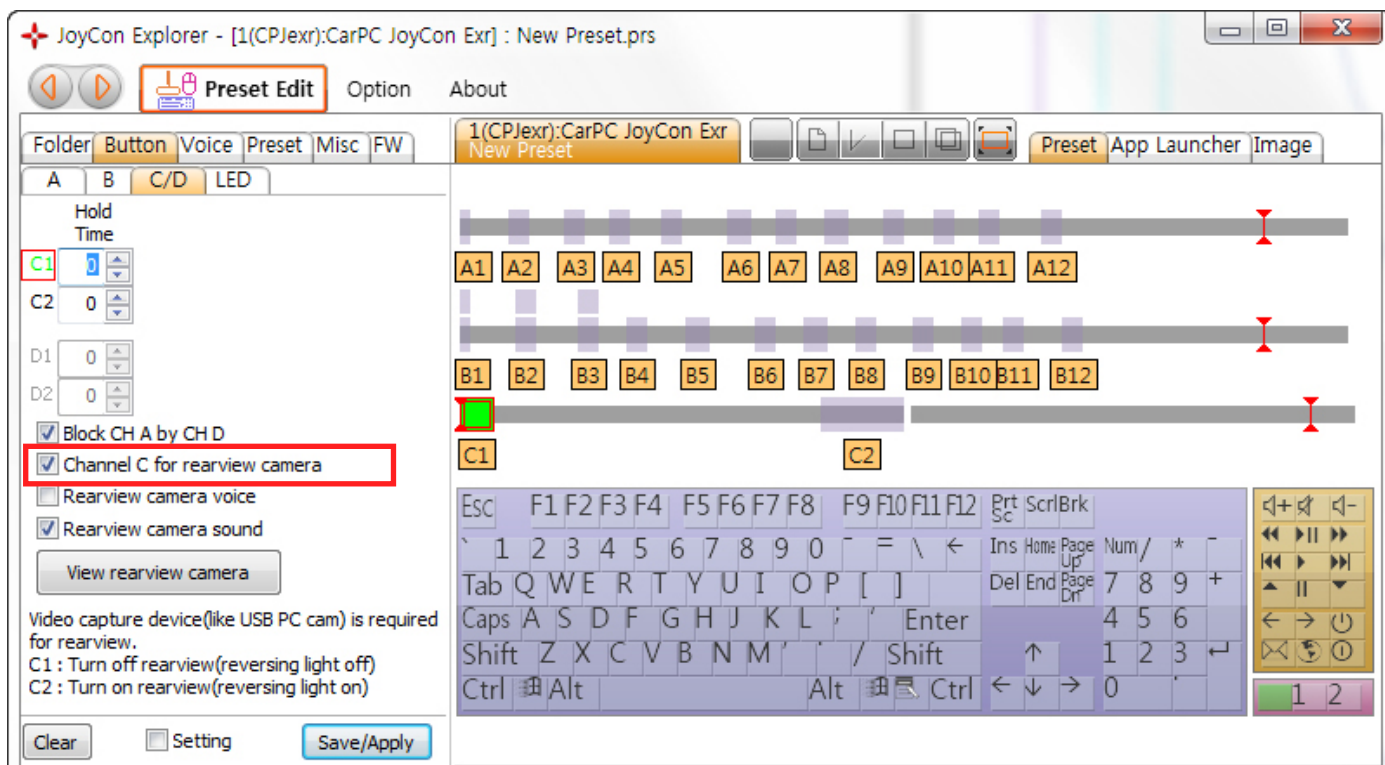




Set the Resistor Range and Button Position of Channel C.
 C1 button is for the turning off state of reversing light.
 C2 button is for the turning on state of reversing light.



Check the option, "Channel C for rearview camera".



When you shift the gear lever to the reversing position, the reversing light is turned on and the reversing view pops up.



You can see the camera and view option by right-clicking of the mouse.

A screenshot of the Jex Cam application window with the settings menu open. The window title is "Jex Cam". The settings menu includes:

- Capture Device: Venus USB2.0 Camera
- Format: Resolution (320x240, 640x480, 720x480, 800x600, USER), Frame Rate (30), Screen Size (320x240, 640x480, 800x600, 1:1)
- Mirror options: Mirror Horizontal (selected), Mirror Vertical, No Mirror
- Full Screen: checked
- Camera idle after: 30 s
- Video Format: NTSC_M
- Buttons: Default, Apply, Property1, Property2, Return to Cam

Annotations with arrows point to:

- "Select the video capture device." pointing to the Capture Device dropdown.
- "If your camera doesn't support the mirror view, select the mirror option." pointing to the Mirror Horizontal radio button.
- "Camera is turned off after this period." pointing to the Camera idle after 30 s field.
- "When you use a video encoder, you can choose the video format of the video encoder." pointing to the Video Format dropdown.

At the bottom left of the window, there is a logo and text: "Jex Cam 121201 JoyCon Explorer Camera Viewer".